

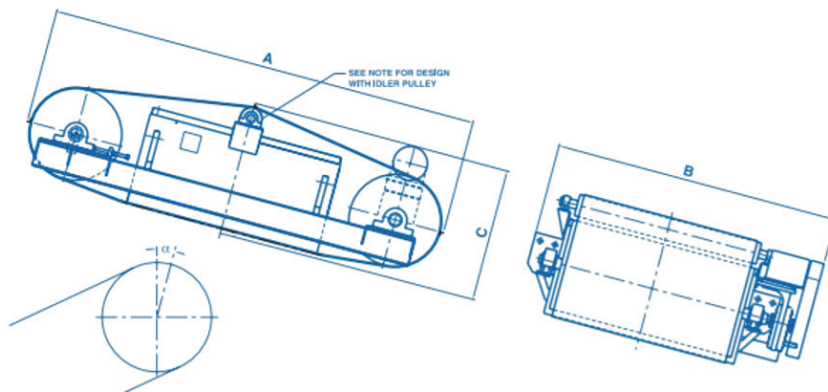
STEARNS 2 PULLEY ELECTROMAGNETIC IN-LINE SEPARATOR



TECHNICAL SPECIFICATIONS

MODEL	DIMENSIONS (INCHES)			STANDARD VOLTS DC	APPROX. WATTS	BELT WIDTH (IN.)	DRIVE H.P.	APPROX. WT. (LBS.)
	A	B	C					
25A	89.5	50.00	31.50	115	2,320	20	1.5	3,200
30A	95.0	56.00	31.50	115	2,752	24	2.0	4,000
36A	94.0	57.75	25.75	115	4,290	30	3.0	4,200
38A	114.0	65.00	34.50	115	4,120	30	3.0	5,500
43A	120.0	68.00	36.00	115	5,060	36	3.0	8,400
48/54M	126.0	79.00	36.00	115	6,200	42	5.0	9,800
48A	126.0	79.00	38.00	115	6,200	42	5.0	10,000
54A	148.0	85.00	39.50	230	7,560	48	5.0	12,800
61A	145.0	92.00	36.00	230	9,260	54	5.0	16,000
68A	165.0	101.00	39.50	230	11,200	60	7.5	23,000
*72A	190.0	112.00	62.00	230	14,000	66	10.0	32,000
*80A	198.0	120.00	56.00	230	15,900	72	10.0	38,000
*90A	200.0	135.00	59.00	230	20,000	82	20.0	48,200

- 1) Models with * are three (3) pulley design
- 2) Angle α is defined on customer approval drawing



OHIO MAGNETICS, INC.
 5400 DUNHAM RD | MAPLE HEIGHTS, OH | 44317-3687
 TEL: (216) 662-8484 | sales@ohiomagnetics.com
 © 2022 OHIO MAGNETICS, INC.

Made in U.S.A.



www.ohiomagnetics.com

A WORLD LEADER IN LIFTING MAGNET SYSTEMS AND MAGNETIC SEPARATION EQUIPMENT