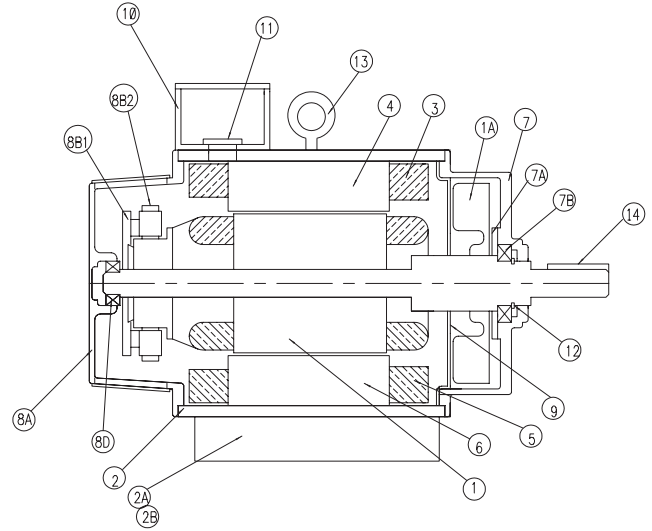


OPT-33-18-WI309 & OPTH-33-18-WI309



GENERATOR SPARE PARTS LIST

ITEM	QUANTITY	PART NO.	DESCRIPTION
1	1	655022	CMPL Armature Assembly
1A	1	B-230508-01-1	Fan – Drilled
2	1	C-460106	Stator Ring & Base Assembly
2A	2	A-690109	Base Section
2B	2	A-100239-03-1	Base Support
3	2	B-441203-01	Comm Coils
4	2	B-452004-01	Comm Poles
5	4	B-441002-01	Main Coils
6	4	B-451002-01	Main Poles
7	1	C-210531-01	Pulley Cover – Drilled for OPTH
7A	1	B-230509	Bearing Cap – Drilled
7B	1	A-900205-33	Bearing – Pulley End
7C	2	A-100243-05	Pulley Cover Screen
8A	1	C-220516-1	Comm Cover – Drilled
8B1	1	910C138A2	Brush Ring Assembly
8B2	8	900B57B02	Brushes
8B3	8	910A137A8	Brush Springs
8C	1	A-100265-01	Comm Cover Screen
8D	1	A-900205-32	Bearing – Comm End
8E	2	910A121A4	Brush Inspection Cover Gasket
8F	2	A-100262	Brush Inspection Cover
9	1	A-100260	Fan Baffle
10	1	B-100259	Terminal Box
11	1	A-900200-03	Chase Nipple
12	1	A-900219-26	Bearing Retaining Ring
13	1	A-900180-02	Eyebolt
14	1	A-100022-09	Key



OHIO MAGNETICS, INC.
 5400 DUNHAM RD | MAPLE HEIGHTS, OH | 44317-3687
 TEL: (216) 662-8484 | sales@ohiomagnetics.com
 © 2022 OHIO MAGNETICS, INC.

Made in U.S.A.